

Co-Simulation for Systematic and Statistical Correction of Multi-Digital-to-Analog-Convertor Systems

Youngcheol Park^{1,*} · Hoijin Yoon²

Abstract

In this paper, a systematic and statistical calibration technique was implemented to calibrate a high-speed signal converting system containing multiple digital-to-analog converters (DACs). The systematic error (especially the imbalance between DACs) in the current combining network of the multi-DAC system was modeled and corrected by calculating the path coefficients for individual DACs with wide-band reference signals. Furthermore, by applying a Kalman filter to suppress noise from quantization and clock jitter, accurate coefficients with minimum noise were identified. For correcting an arbitrary waveform generator with two DACs, a co-simulation platform was implemented to estimate the system degradation and its corrected performance. Simulation results showed that after correction with 4.8 Gbps QAM signal, the signal-to-noise-ratio improved by approximately 4.5 dB and the error-vector-magnitude improved from 4.1% to 1.12% over 0.96 GHz bandwidth.

Key Words: Digital-to-Analog-Converter, Millimeter-Wave, Quadrature Modulation, Signal Generator, Wireless System.

I. INTRODUCTION

To realize the deployment of 5G systems, methods to calibrate signal generators with wide bandwidths are being studied [1, 2]. The high-speed signals required for 5G systems are generally synthesized by incorporating medium-speed digital-to-analog converters (DACs) as if the overall speed reaches multiple times the speed of an individual DAC [3]. Many methods are available for increasing the sampling speed. One such method is called time interleaving (TI), in which the output of each DAC in the time domain is combined. It is used in many converting devices such as analog-to-digital converters (ADCs) and DACs [4, 5]. These systems require a high-speed clock to drive the output switch in such a way that the output current of the low-speed DAC is directed alternately toward the output

port; as a result, the final combined current is equivalently composed in accordance with the high-speed sampling clock.

However, in practice, TI devices cause additional errors owing to the non-idealities of the additional process. For example, in TI DACs and ADCs, clock jitter causes random phase errors in the equivalent sampling pulse train, resulting in irregular spurs in the frequency domain [6]. In addition, because high sampling speed in digital converters is often achieved at the expense of the bit resolution, the quantization error cannot be ignored as a random noise source, especially when digital converters with speeds exceeding hundreds of mega samples per second are concerned [7]. On the other hand, systematic errors such as the non-uniform analog characteristic between the low-speed DACs also degrade the signal quality. Finally, because the calibration process is based on discrete Fourier transform (DFT),

Manuscript received November 22, 2016 ; Revised January 14, 2017 ; Accepted January 17, 2017. (ID No. 20161122-045J)

¹Department of Electronics Engineering, Hankuk University of Foreign Studies, Yongin, Korea.

²Department of Computer Engineering, Hyupsung University, Hwaseong, Korea.

*Corresponding Author: Youngcheol Park (e-mail: ycpark@hufs.ac.kr)

This is an Open-Access article distributed under the terms of the Creative Commons Attribution Non-Commercial License (<http://creativecommons.org/licenses/by-nc/3.0>) which permits unrestricted non-commercial use, distribution, and reproduction in any medium, provided the original work is properly cited.

© Copyright The Korean Institute of Electromagnetic Engineering and Science. All Rights Reserved.

it is critical to maintain synchronization between the measurement equipment and to carefully design the reference waveform; otherwise, unintended artifacts are introduced from the windowing and picket-fence effects [8].

The author has proposed correction methods for a TI DAC system [2, 9]. However, it showed somewhat limited performance, presumably owing to the residual random noise and lack of accurate de-embedding. In this paper, we addressed these issues by using a novel noise model and Kalman filtering for correcting the statistical error. Furthermore, a co-simulation platform was implemented to enable systematic non-ideality correction across the time, frequency, and constellation domains.

II. COMBINING OUTPUT WAVEFORMS

Various methods can be used to combine the output of each converter. Among these, the TI technique is widely used because it affords high combining ratio [4–7]. Whereas TI ADCs incorporate tens of ADCs, commercial TI DACs mostly use a combination of only two DACs [4].

In the TI architecture, the band-limited output waveform $x(t)$ is expressed by its discrete form with sampling period T_s :

$$x_{discrete}(t) = \sum_{n=-\infty}^{\infty} x(t) \delta(t - nT_s). \quad (1)$$

This is the result of TI combination, from which the m^{th} individual DAC output is expressed as follows (Fig. 1):

$$x_m(t) = \sum_{n=-\infty}^{\infty} x(t) \delta\left(t - \left(n + \frac{m}{M}\right)MT_s\right), \quad (2)$$

where M is the number of TI DACs.

As a result, its Fourier transform is

$$\begin{aligned} X_m(\omega) &= \frac{1}{MT_s} \sum_{k=-\infty}^{\infty} \left\{ \int_{-\infty}^{\infty} x(t) e^{j2\pi k \frac{f_s t}{M}} e^{-j\omega t} dt \right\} e^{-j2\pi k \frac{m}{M}} \\ &= \frac{1}{MT_s} \sum_{k=-\infty}^{\infty} X\left(\omega - k \frac{\omega_s}{M}\right) e^{-j2\pi k \frac{m}{M}} \end{aligned} \quad (3)$$

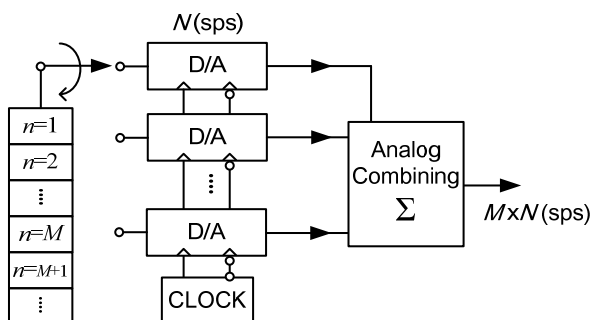


Fig. 1. Time-interleaving digital-to-analog converting system.

where $X(\omega)$ is the Fourier transform of $x(t)$.

Therefore, the TI output $X(\omega)_{SUM}$ is the sum of each DAC output, and each DAC path has a non-uniform transfer coefficient c_m as follows:

$$\begin{aligned} X_{SUM}(\omega) &= c_1 X_1(\omega) + \dots + c_M X_M(\omega) \\ &= \sum_{m=1}^M c_m \left\{ \frac{1}{MT_s} \sum_{k=-\infty}^{\infty} X\left(\omega - k \frac{\omega_s}{M}\right) e^{-j2\pi k \frac{(m-1)}{M}} \right\} \\ &= \frac{1}{MT_s} \sum_{k=-\infty}^{\infty} \left\{ X\left(\omega - k \frac{\omega_s}{M}\right) \sum_{m=1}^M c_m e^{-j2\pi k \frac{(m-1)}{M}} \right\}. \end{aligned} \quad (4)$$

In addition, $X(\omega)_{SUM}$ is expressed as the sum of Nyquist zone images X_k as follows:

$$X_{SUM}(\omega) = \sum_{k=-\infty}^{\infty} X_k(\omega) = \sum_{k=-\infty}^{\infty} X(\omega - k\omega_s) H_k(\omega) \quad (5)$$

where $H_k(\omega)$ represents the response at the k^{th} Nyquist zone.

Therefore, the non-uniform path coefficients c_m are found through a comparison with X_k Nyquist zone responses.

Furthermore, $H_k(\omega)$ can be found by dividing X_k by $X(\omega - \omega_k)$ in (5).

III. CORRECTION BY KALMAN FILTERING

The finite resolution of DACs causes quantization noise at the output. The *rms* noise voltage at the combined output is approximated as

$$V_{QNoise,rms}^2 \approx \frac{M}{12} \left(\frac{V_{pp}}{2^{N-1}} \right)^2, \quad (6)$$

where N is the number of bits in a DAC, and V_{pp} is the full-scale voltage.

Furthermore, jitter in the sampling clock causes noise power, which is estimated as follows [5]:

$$V_{skew,rms}^2 \approx \frac{1}{8} V_{pp}^2 \omega^2 \sigma_t^2, \quad (7)$$

where σ_t^2 is the variance of the timing jitter.

Square-summing these noise voltages gives the total random noise voltage as

$$V_{Noise_total,rms}^2 = V_{QNoise,rms}^2 + V_{skew,rms}^2. \quad (8)$$

Because this noise is random and white over the entire sampling frequency, a Kalman filter is applied to reduce the noise power.

A Kalman filter is effective for estimating the state of a discrete-time controlled process x under a linear stochastic differ-

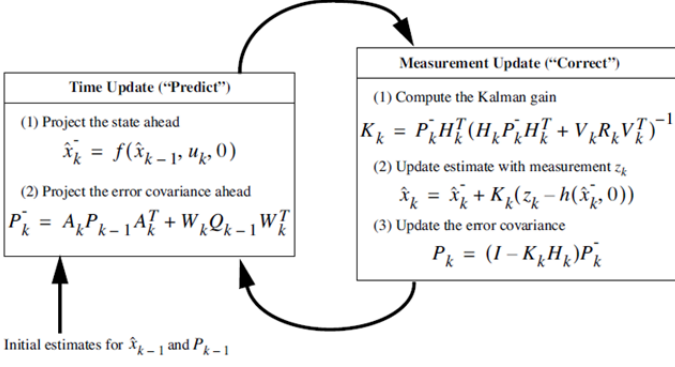


Fig. 2. Operation of Kalman filter [10].

ence equation [10]:

$$x_k = Ax_{k-1} + Bu_{k-1} + w_{k-1}, \quad (9)$$

and the measurement equation

$$z_k = Hx_k + v_k, \quad (10)$$

where the process noise covariance Q and measurement noise covariance R affect the states of x and the measurement state z .

The process noise w and measurement noise v are assumed to be independent, white, and normally distributed:

$$p(w) \sim N(0, Q) \text{ and } p(v) \sim N(0, R). \quad (11)$$

When the a priori state estimation error at step k , e_k^- , is determined by the difference between x_k and the a priori estimate \hat{x}_k^- ,

$$e_k^- \equiv x_k - \hat{x}_k^-. \quad (12)$$

The a posteriori error e_k is defined similarly.

$$e_k \equiv x_k - \hat{x}_k \quad (13)$$

The error covariance matrix is defined from e_k as follows:

$$P_k = E[e_k e_k^T] \quad (14)$$

It is then used to update the Kalman gain of state k , K_k , that minimizes the error.

$$K_k = P_k^- H^T (H P_k^- H^T + R)^{-1} \quad (15)$$

Fig. 2 shows the complete Kalman filter update operation. For applying the Kalman filter to the TI DAC system, the state vector x was defined as a DFT coefficient of length L , and the measurement vector z was defined as the time domain voltage from the measurement equipment. The measurement noise covariance matrix is defined from the root-sum-squared values of (6) and (7).

IV. MEASUREMENT AND CO-SIMULATION

The path coefficients in Section II are identified by carefully designed waveforms that occupy the frequency band of interest. In this regard, a high-speed 64 quadrature-amplitude-modulated (QAM) waveform was synthesized at 2 GHz with speed of 4.8 Gbps and signal-to-noise-ratio exceeding 43 dB. For identifying the path coefficients, a commercial arbitrary signal generator (AWG) with two 8-bit TI DACs was measured using the QAM waveform and a digitizer.

Furthermore, to estimate the signal quality degradation from the random noise and systematic non-ideality, a TI DAC system with the same configuration was modeled and implemented on a simulation platform. The simulator calculates the error-vector-magnitude (EVM) as a metric of the signal quality. Fig. 3 shows the implemented system with the QAM reference source and the RF up-converter to 2 GHz. By applying the Kalman filter to the measured waveforms, an accurate set of path coefficients was obtained, and it was loaded on the simulation platform to represent the system non-ideality. The Kalman gain was tuned to converge within five measurements. The filter coefficient was used to correct the system non-idealities throughout TI paths. Fig. 4 shows the spectrum of the reference

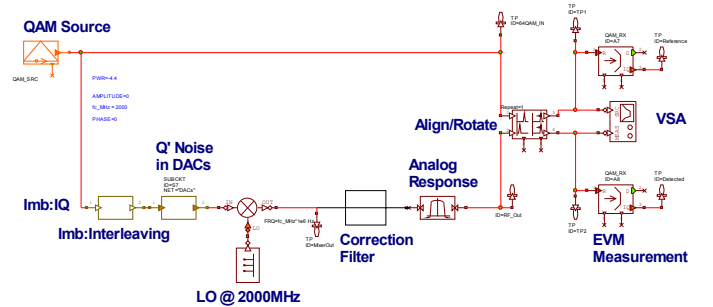


Fig. 3. Co-simulation setup representing non-ideal degradation in time interleaving (TI) DAC systems including quantization noise, TI mismatch, and correction filter.

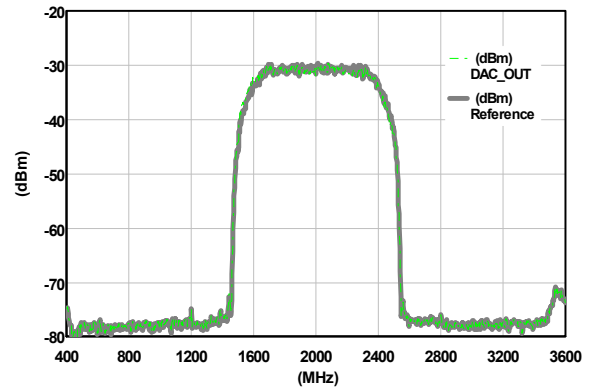


Fig. 4. Generated 64 QAM reference signal with 800 Msym/s and the un-corrected system response.

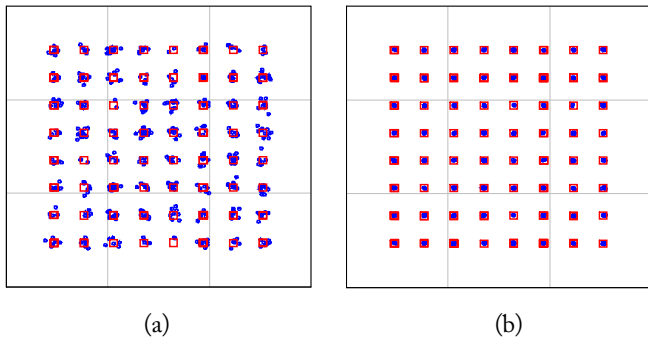


Fig. 5. Constellation of 64 QAM signal from co-simulation of time interleaving DAC system with (a) random and systematic error sources (b) after correction filter is applied.

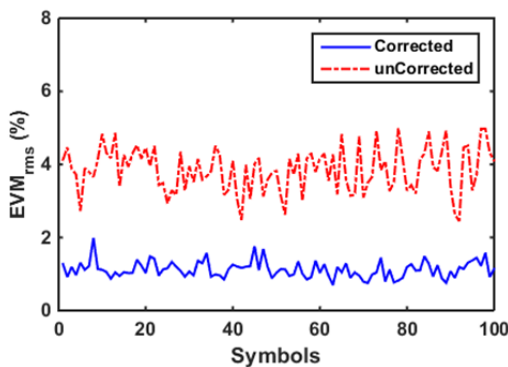


Fig. 6. Error-vector-magnitude (EVM) of co-simulated 64 QAM with correction filter applied to time interleaving DAC.

QAM signal and the uncorrected DAC output. The identified path response of the AWG has in-band ripple of ± 2 dB and roll-off from the sampling aperture. The path response was stored in a file and loaded into the simulation platform for the co-simulation to represent the system artifact in the TI DAC system. As a result, the received signal shows degraded quality, as in Fig. 5(a), in which the detected QAM constellation is overlaid on the reference symbol locations. Because the overall system is assumed to be quasilinear, the systematic error is corrected by the inverse coefficient, which consists of a wideband correction filter. As such, the correction filter is calculated and applied in the co-simulation platform. Figs. 5(b) and 6 show the result of the correction. As shown in these figures, the suggested correction clearly improved the EVM from 4.1% to 1.13%; this is consistent with the SNR improvement of 4.5 dB as obtained by a commercial vector signal analyzing software. The overall mean error in the EVM over 100 symbols was approximately $1.124\% \pm 0.22\%$. For the sake of comparison, correction was performed without the Kalman filter, and it showed EVM of about 1.43%.

V. CONCLUSION

This paper presented systematic and stochastic methods for the correction of multi-gigabit-per-second signals with AWGs that include TI DACs. BY using Kalman filtering, accurate system coefficients between each DAC are identified, and then, correction filter coefficients to overcome non-uniform path responses are calculated. Through a co-simulation of the AWG system, we improved the EVM from 4.1% to 1.13% for a 4.8 Gsps, 64-QAM modulated signal with 2-GHz carrier frequency. As an extension of this study, this approach could be useful to calibrate multiple TI converting systems to compensate for both systematic and stochastic error sources.

This work was supported by the Hankuk University of Foreign Studies Research Fund.

REFERENCES

- [1] K. A. Remley, P. D. Hale, D. F. Williams, and C. M. Wang, "A precision millimeter-wave modulated-signal source," in *Proceedings of IEEE International Microwave Symposium Digest*, Seattle, WA, 2013, pp. 1-3.
- [2] K. A. Remley, D. F. Williams, P. D. Hale, C. M. Wang, J. A. Jargon, and Y. C. Park, "Millimeter-wave modulated-signal and error-vector-magnitude measurement with uncertainty," *IEEE Transactions on Microwave Theory and Techniques*, vol. 63, no. 5, pp. 1710-1720, 2015.
- [3] D. F. Williams, P. D. Hale, and K. A. Remley, "The sampling oscilloscope as a microwave instrument," *IEEE Microwave Magazine*, vol. 8, no. 4, pp. 59-68, 2007.
- [4] Tektronix, "Understanding AWG70000A series frequency response and DAC performance (Application Note: 76W-29216-0), 2013 [Online]. Available: www.tek.com/dl/76W_29216_0_MR_Letter.pdf.
- [5] W. C. Black and D. A. Hodges, "Time interleaved converter arrays," *IEEE Journal of Solid-State Circuits*, vol. 15, no. 6, pp. 1022-1029, 1980.
- [6] C. A. Schmidt, J. E. Cousseau, J. L. Figueroa, B. T. Reyes, and M. R. Hueda, "Efficient estimation and correction of mismatch errors in time-interleaved ADCs," *IEEE Transactions on Instrumentation and Measurement*, vol. 65, no. 2, pp. 243-254, 2016.
- [7] A. Bhide and A. Alvandpour, "Timing challenges in high-speed interleaved $\Delta\Sigma$ DACs," in *Proceedings for 2014 International Symposium on Integrated Circuits (ISIC)*, Singapore, 2014, pp. 46-49.
- [8] Y. Park and H. Yoon, "Time- and frequency-domain optimization of sparse multisine coefficients for nonlinear amplifier characterization," *Journal of Electromagnetic Engineer-*

ing and Science, vol. 15, no. 1, pp. 53-58, 2015.

- [9] Y. Park and K. A. Remley, "Two-stage correction for wide-band wireless signal generators with time-interleaved digital-to-analog-converters," in *Proceedings of 2014 83rd ARFTG Microwave Measurement Conference*, Tampa, FL, 2014,

pp. 1-4.

- [10] M. S. Grewal and A. P. Andrews, *Kalman Filtering: Theory and Practice*. Upper Saddle River, NJ: Prentice-Hall, 1993.

Youngcheol Park



completed his B.S. and M.S. in Electrical Engineering at Yonsei University in 1992 and 1994, respectively. He completed his Ph.D. in Electrical and Computer Engineering at Georgia Tech in 2004. In March 2007, he joined the faculty at Hankuk University of Foreign Studies, where he is a Professor in the Department of Electronics Engineering. He has over 12 years of industrial experience with mobile

phone design, RF circuits, and systems. His research interests include power amplifiers, digital signal processing for RF applications, and measurement techniques for high-precision signals.

Hojjin Yoon



completed her M.S. and Ph.D. degrees in Computer Science and Engineering at Ewha Woman's University in 1998 and 2003, respectively. She was later at Georgia Institute of Technology and Ewha Womans University, before joining the faculty of Hyupsung University in 2007.